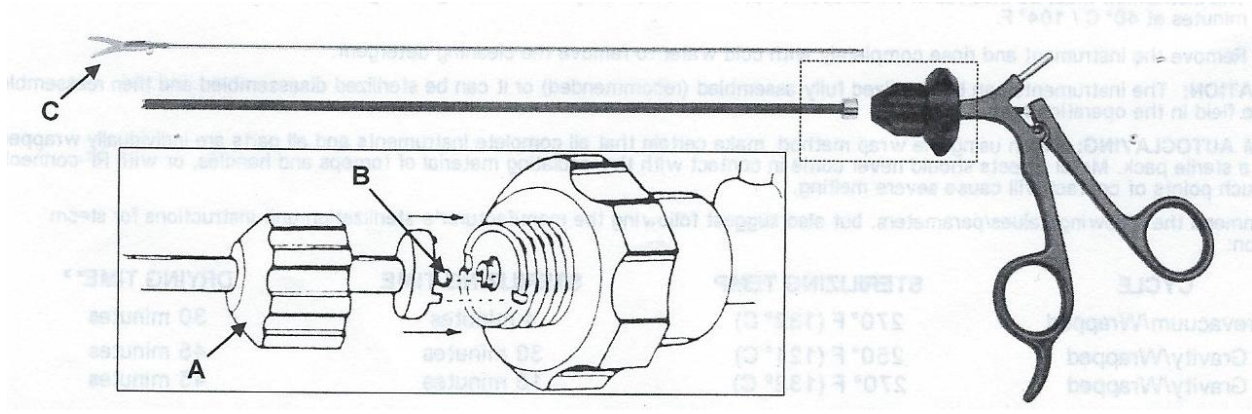


3-Piece Laparoscopic Instruments Cleaning and Sterilization



- **Inspect** instruments carefully for proper functionality. Remove any instrument in need of repair or replacement. Do not re-use damaged instruments or those beyond their useful life.
- **Disassemble** instrument: Turn main screw cap (A) counterclockwise until it disengages from handle, Set the handle in the open position and release the Ball of Inner Rod (B) out of its fixation in the handle port, Turn the Tip (C) counterclockwise out of the tube.
- **Manual Cleaning**
 1. Rinse all parts with deionized cold water to remove debris
 2. Hand wash all parts using neutral or enzymatic cleaner and a soft brush.
 3. Thoroughly rinse instrument with deionized water after cleaning to remove residual debris/cleaning solution
- **Machine Reprocessing**
 1. Place the instruments in a basket or the insert module or on the inserts of the MIS module
 2. Pre-rinse for 1 minute with cold water
 3. Discharging
 4. Pre-rinse for 3 minutes with cold water
 5. Discharging
 6. Wash for 5 minutes at 55 degrees C with 0.5% alkaline or at 45 degrees C with an enzymatic cleaning agent
 7. Discharging
 8. Neutralize for 2 minutes with warm tap water (>40 degrees C) and a neutralizing agent
 9. Rinse for 2 minutes with warm tap water (>40 degrees C)
 10. Discharge

- **Disinfection**

Machine operated thermal disinfection has to be carried out in consideration of national requirements with regard to the A0 Value (see ISO15883)

- **Drying**

Dry the outside of the instruments by carrying out a drying cycle of the cleaning/disinfection machine. If necessary, manual drying may additionally be carried out using a lint free cloth. Dry cavities by blowing with sterile compressed air